

NO. A-16075-1

PUMP PERFORMANCE CURVES

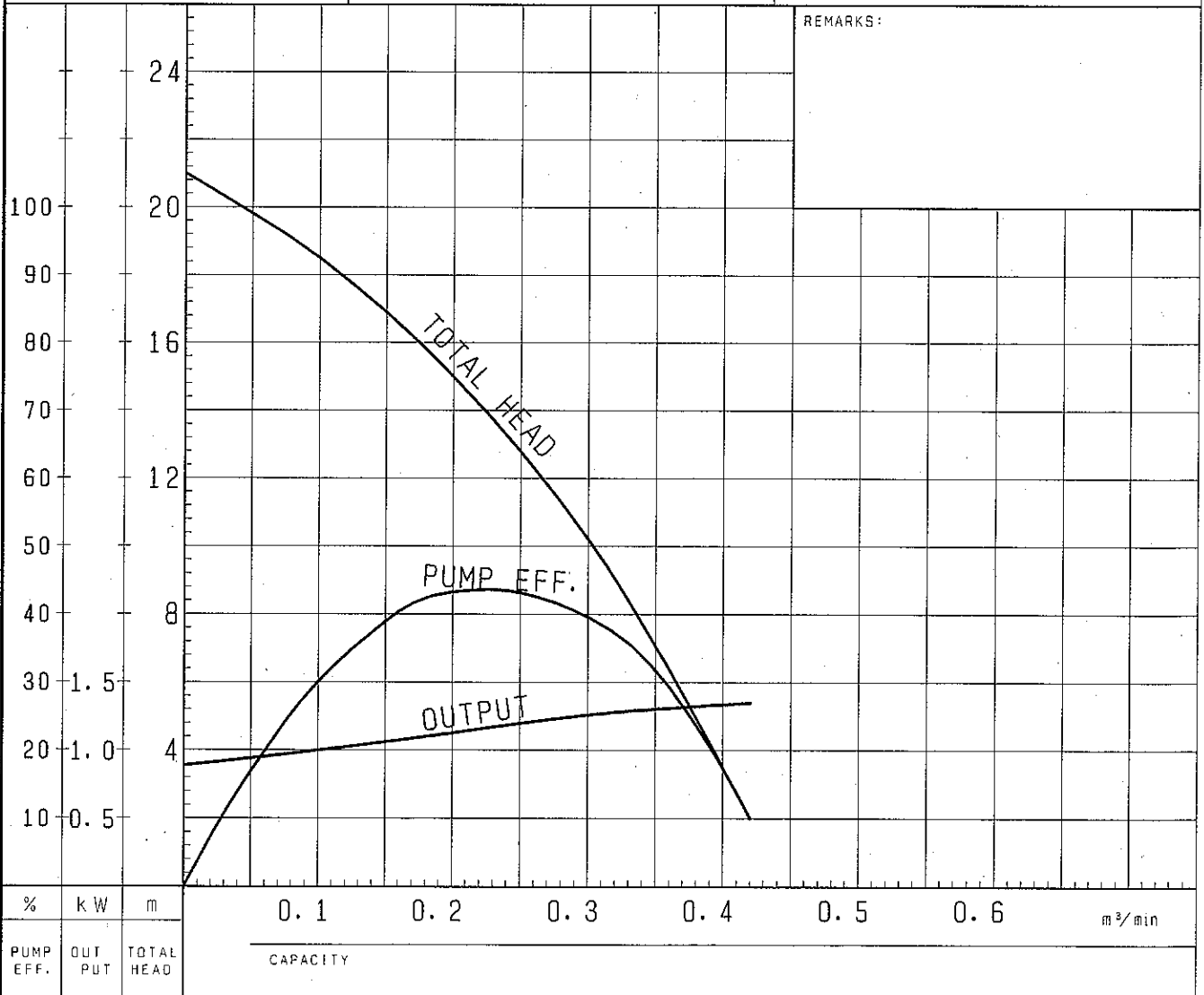
TYPE Submersible Portable Pump	MODEL LB-1500 -60	FREQUENCY 60 Hz
-----------------------------------	----------------------	--------------------

CUSTOMER'S NAME

EQUIPMENT TITLE

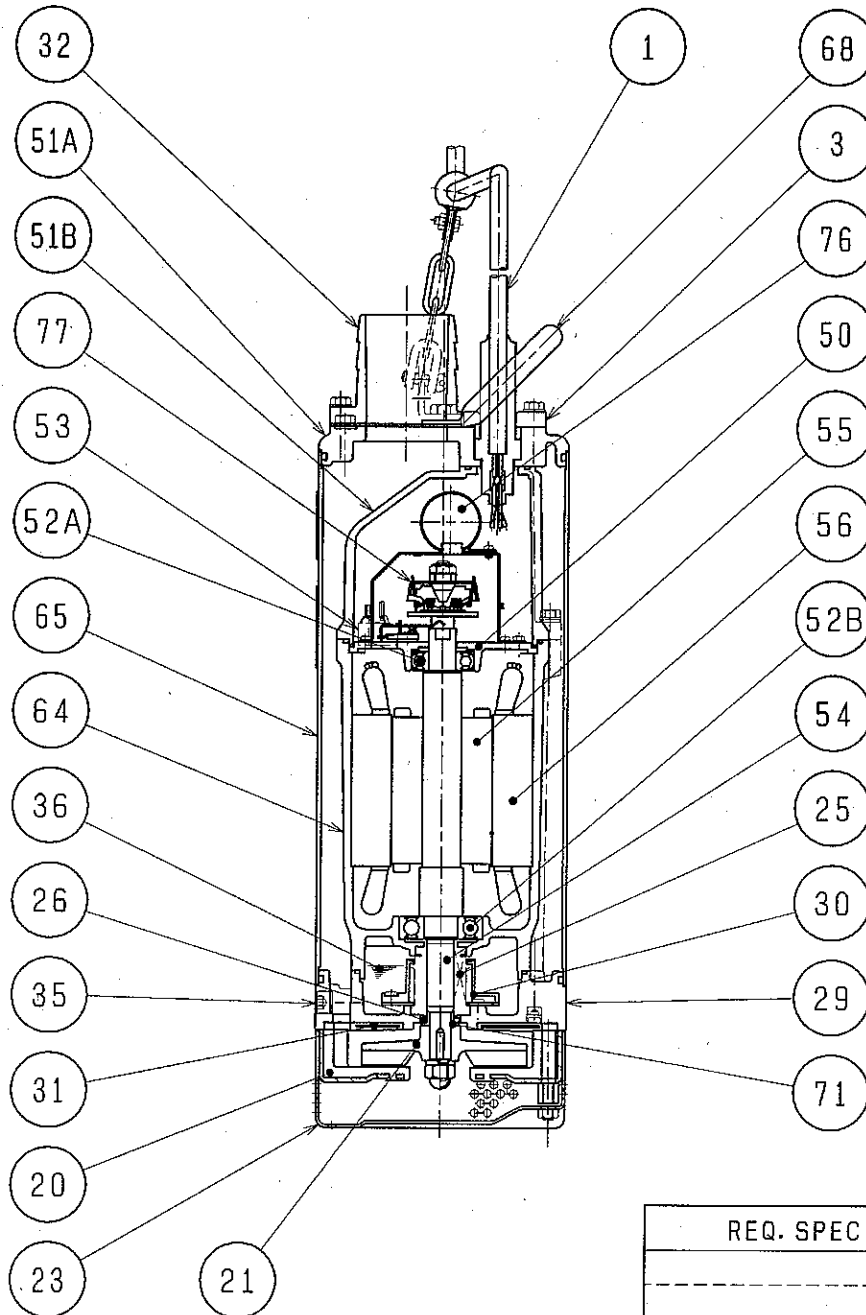
NO.

	STANDARD SPECIFICATIONS	REQUIRED SPECIFICATIONS
DISCHARGE BORE	50/80 mm	mm
TOTAL HEAD	Max. 21 m	m
CAPACITY	Max. 0.42 m ³ /min	m ³ /min
MOTOR OUTPUT	1.5 kW	kW
PHASE × VOLTAGE	1 φ × V	φ × V
CURRENT	A	A
POLES / REVOLUTION	2 P / s. s. 3600 min ⁻¹	P / min ⁻¹
STARTING METHOD	CAPACITOR START	
INSULATION CLASS	B	



TSURUMI MFG. CO., LTD.

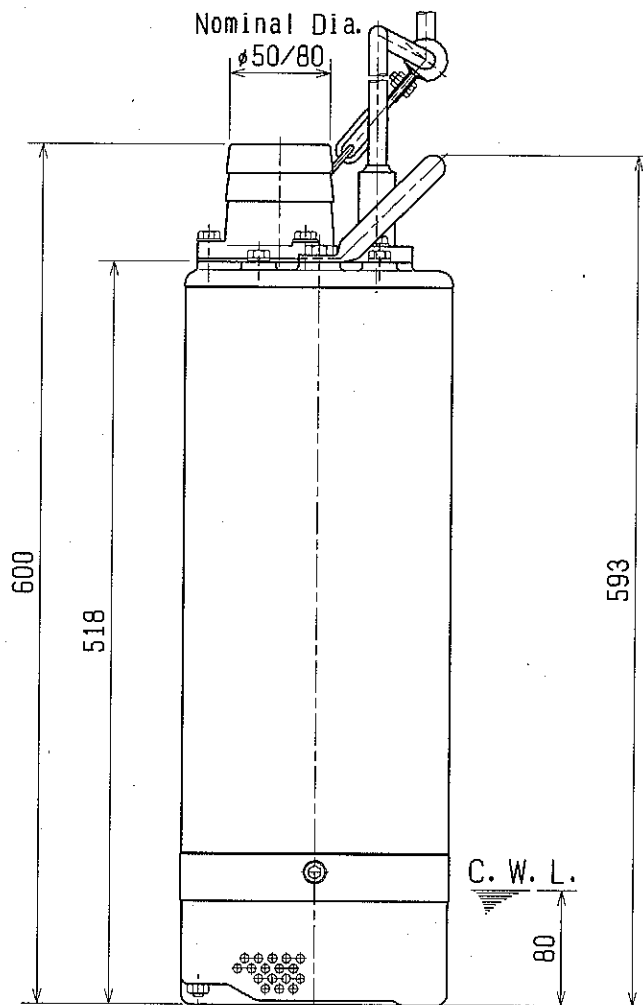
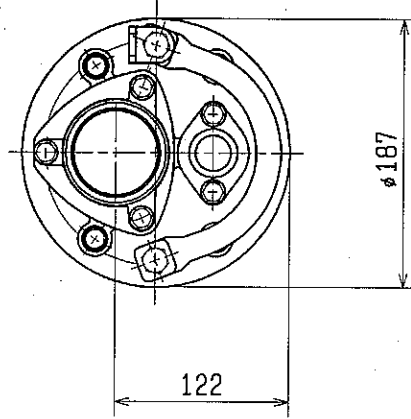
SECTIONAL DRAWING		No.	No. A-16077-1
TYPE	Submersible Portable Pump	MODEL	LB-1500 -50/60



REQ. SPECIFICATION	

No.	DESCRIPTION	QTY	MATERIAL / NOTE	No.	DESCRIPTION	QTY	MATERIAL / NOTE
1	Cable	1	Chloroprene Sheath	51A	Head Cover	1	Aluminium Die Casting
3	Gland	1	Aluminium Die Casting	51B	Motor Head Cover	1	Aluminium Die Casting
20	Pump Casing	1	Butadiene Rubber + Natural Rubber	52A	Upper Bearing	1	6204ZZC3
21	Impeller	1	Chromium Iron Casting	52B	Lower Bearing	1	6305ZZC3
23	Strainer Stand	1	Steel Sheet	53	Motor Protector	1	
25	Mechanical Seal	1	H-20T	54	Shaft	1	Stainless Steel 403
26	V-ring	1	Nitrile Butadiene Rubber	55	Rotor	1	
29	Oil Casing	1	Gray Iron Casting	56	Stator	1	
30	Oil Lifter	1	Plastic	64	Motor Frame	1	Aluminium Die Casting
31	Wearing Plate	1	Butadiene Rubber + Natural Rubber	65	Outer Cover	1	Steel Sheet
32	Hose Coupling	1	Aluminium Die Casting	68	Handle	1	Carbon Steel Pipe
35	Oil Plug	1	Stainless Steel 304	71	Shaft Sleeve	1	Stainless Steel 304
36	Lubricant		Turbine Oil (ISO VG32)	76	Capacitor	1	
50	Motor Bracket	1	Aluminium Die Casting	77	Centrifugal Switch	1	

DIMENSION DRAWING		No.	No. A-16076-1
TYPE	Submersible Portable Pump	MODEL	LB-1500 -50/60



C. W. L. :Continuous Running Water Level